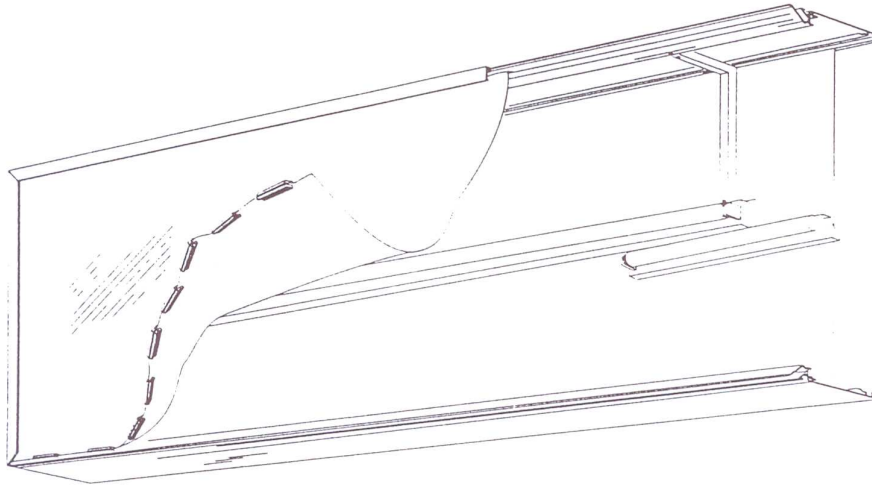


BASIC KNOWLEDGE



Inexpensive

shortest production times by using only a few components

Energy-saving

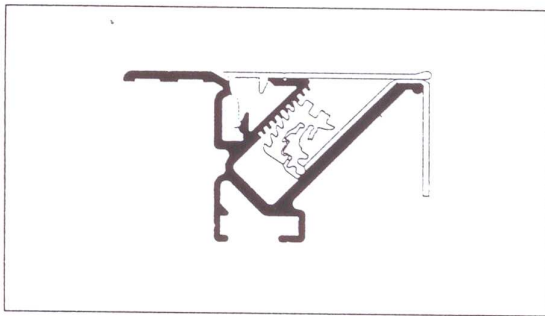
less fluorescent tubes through reflector technic

Simple maintenance

quick tensioning of the flexible face material without screws

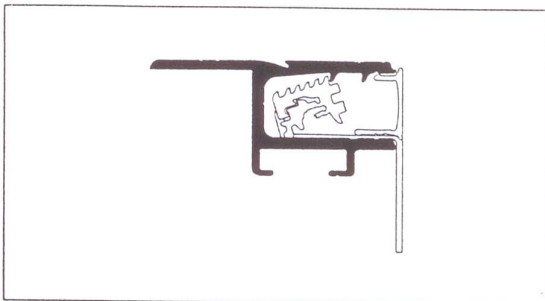
Versatile

many forms and sizes are possible



LUMI-2000

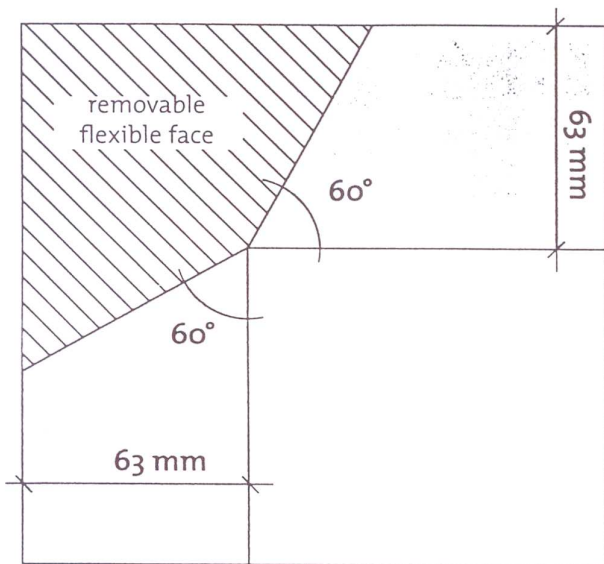
The profile front is designed frameless. The motive can run to the outside edge of the profile – also for illuminated surfaces. The tensioning and loosening of the flexible face material has to be made laterally. An interesting profile pallet offers solutions for all formats and lighting types.



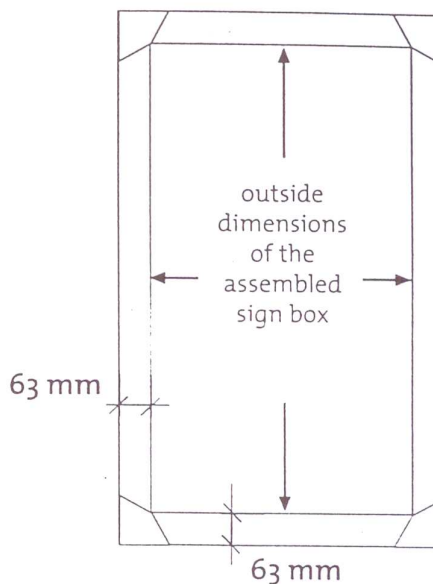
LUMI-GRIP

The profile is front-opening and particularly suitable for the installation in niches. Profiles for non-illuminated displays can be mounted directly to the wall without using an underconstruction. GRIP is fully compatible with all other LUMI-system parts.

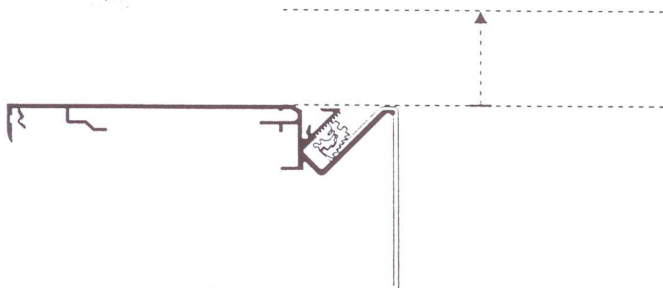
ADDITIONAL FLEXIBLE FACE MATERIAL LUMI-2000



Detail flexible face corner



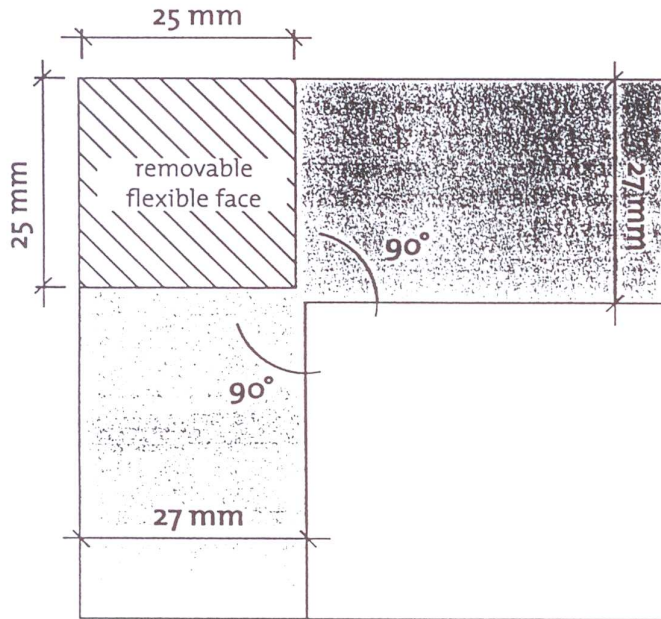
To the outside dimension of the sign box add 63 mm all around



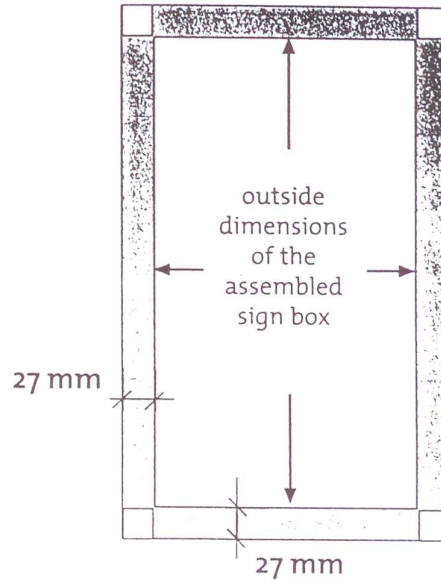
LUMI-2000
63 mm additional flexible face all around

Version 10.2000

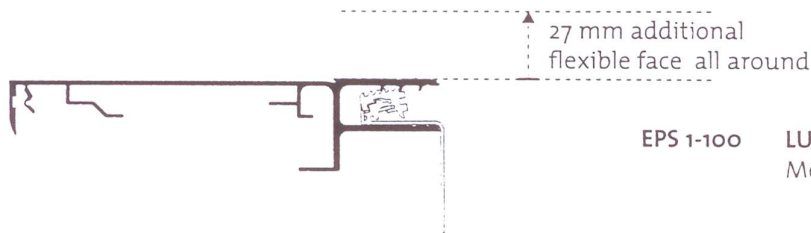
ADDITIONAL FLEXIBLE FACE MATERIAL LUMI-GRIP



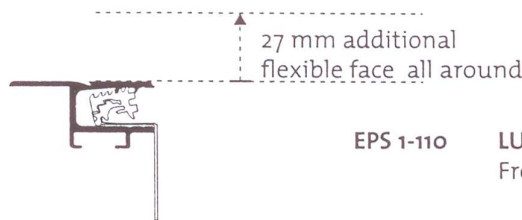
Detail flexible face corner



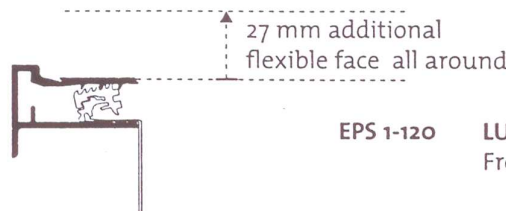
To the outside dimension of the sign box add 27 mm all around



EPS 1-100 LUMI-GRIP
Medium Main Body

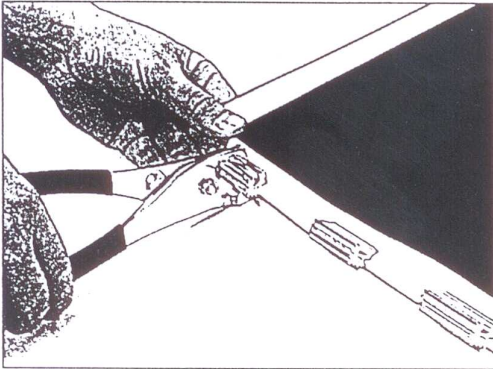


EPS 1-110 LUMI-GRIP
Front Opening Retrofit JR

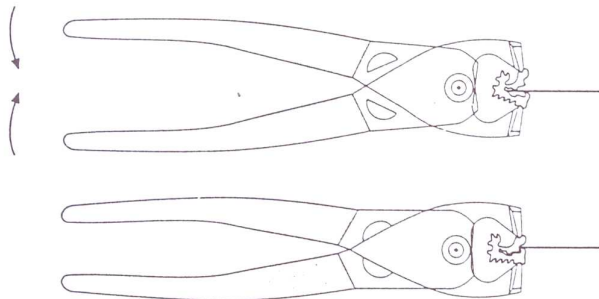
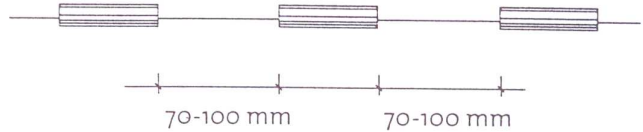


EPS 1-120 LUMI-GRIP
Front Opening wall mounted.

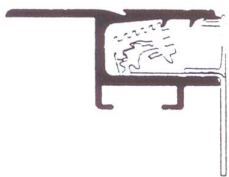
FLEX HOLDER



Simply attached the flex holder to the flexible face material beginning at the edge. Distance between the flexholders 70 to 100 mm (the more bigger the surface is, the smaller the distance between the flex holders are).

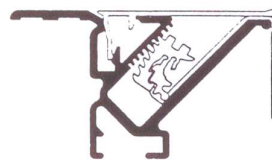


Attaching the flex holder to the flexible face



Please note the position of the flex holder when attaching to the flexible face material with LUMI GRIP.

signed/printed area



With LUMI-2000 the position of the flex holder can be chosen freely.

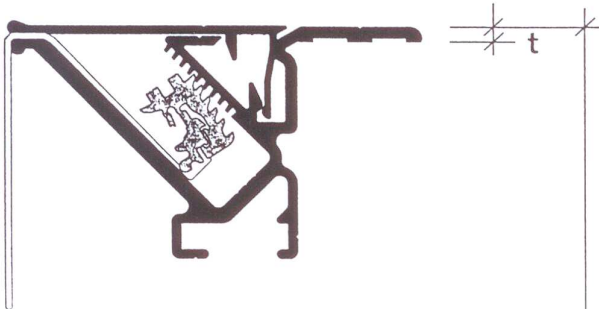
signed/printed area



signed/printed area

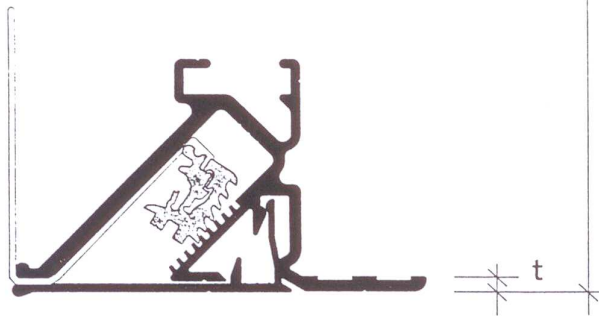


CUSTOMIZATION ASSEMBLY KIT



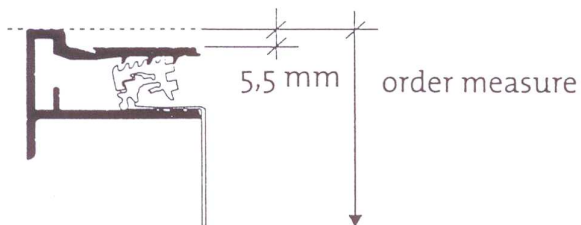
Customization
of finished
assembly kits:

order measure

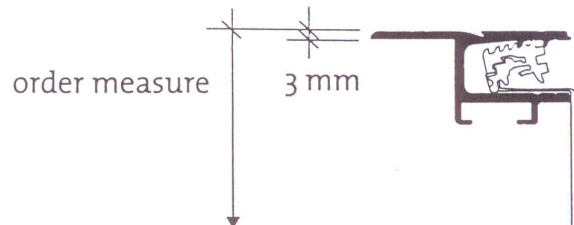


Please note the following sizes for
self made frameworks:

- EPS 1-014 Retrofit JR, $t = 3,0 \text{ mm}$
- EPS 1-016 Retrofit SR, $t = 4,5 \text{ mm}$



EPS 1-120 GRIP front opening wallmounted



EPS 1-110 GRIP front opening Retrofit JR